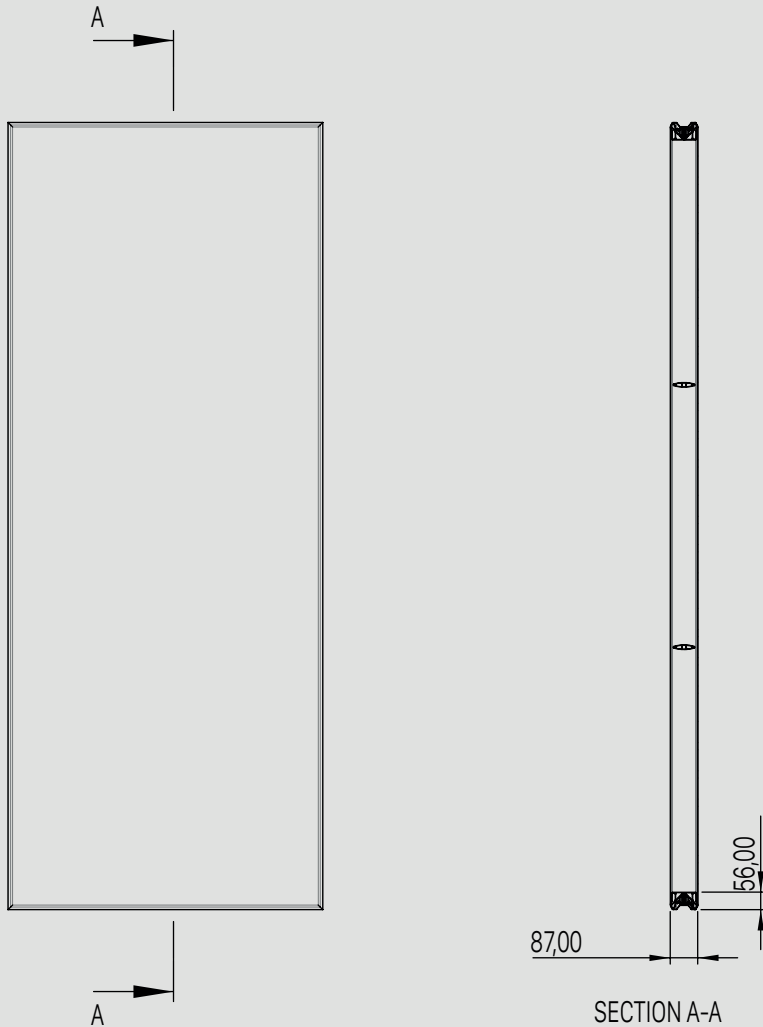


Sun Shading // TXTUM

# SINGLE-SIDED





**STRUCTURE:** supporting structure in extruded aluminium on 4 sides.

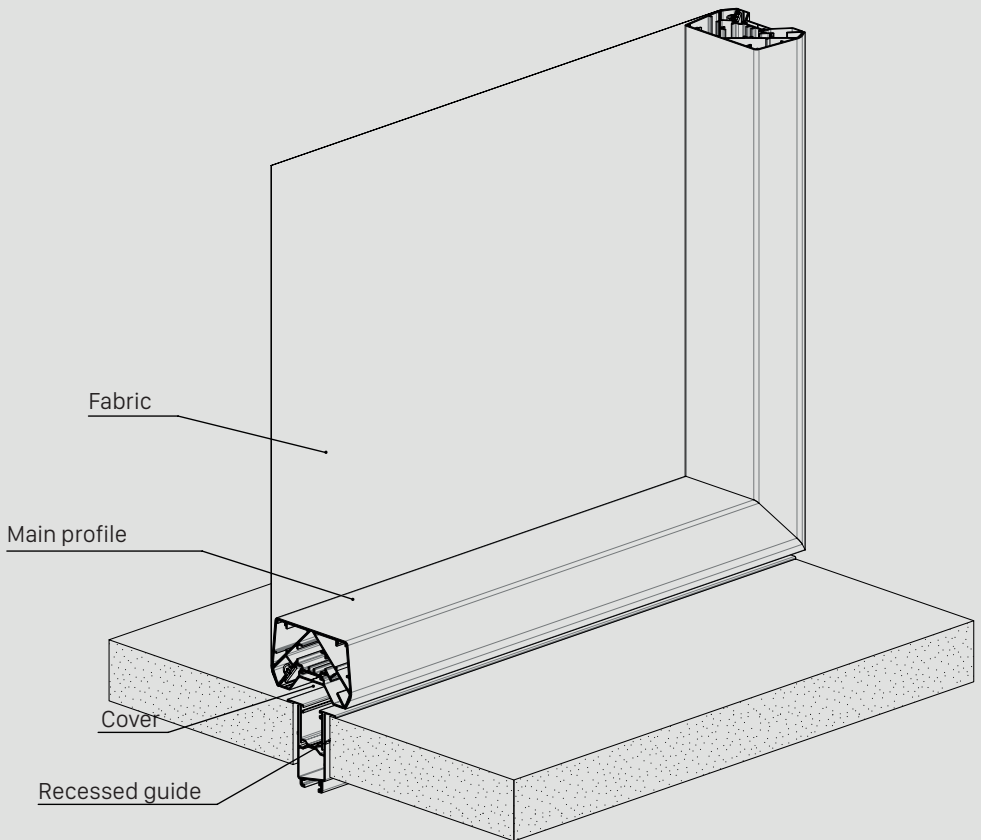
**SHADING:** fabric suitable for indoor or outdoor use.

**FIXING SHADING:** perimeter fastening on predispositions.

**PERPENDICULAR DIMMING:** from 100% to 20% (depending on the fabric used).

**SIZE LIMITS:** L MAX = 1500mm / H MAX = 6000mm (with stringers).

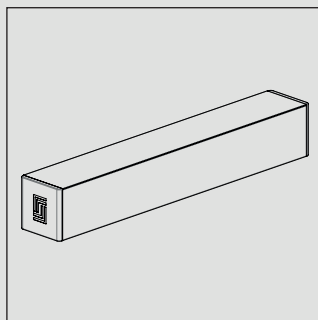
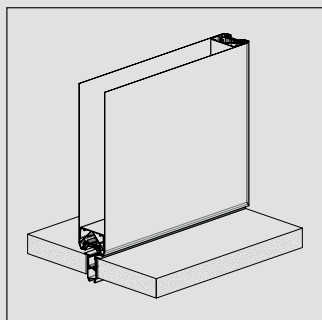
Single-sided  
manual



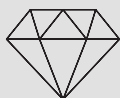
**CERTIFICATIONS**

**up to 1400x3890mm:**

- Wind load resistance according to UNI EN 1932:2013: Class 6 (2730Pa);



**VARIANTS:** single- or double-sided, both from fully manual to fully automated.



Resistant



Thermal protection



Durable



Easy maintenance



**Sun Shading**

SUNNY PRODUCTS FOR BUILDINGS

[www.sunshading.it](http://www.sunshading.it)