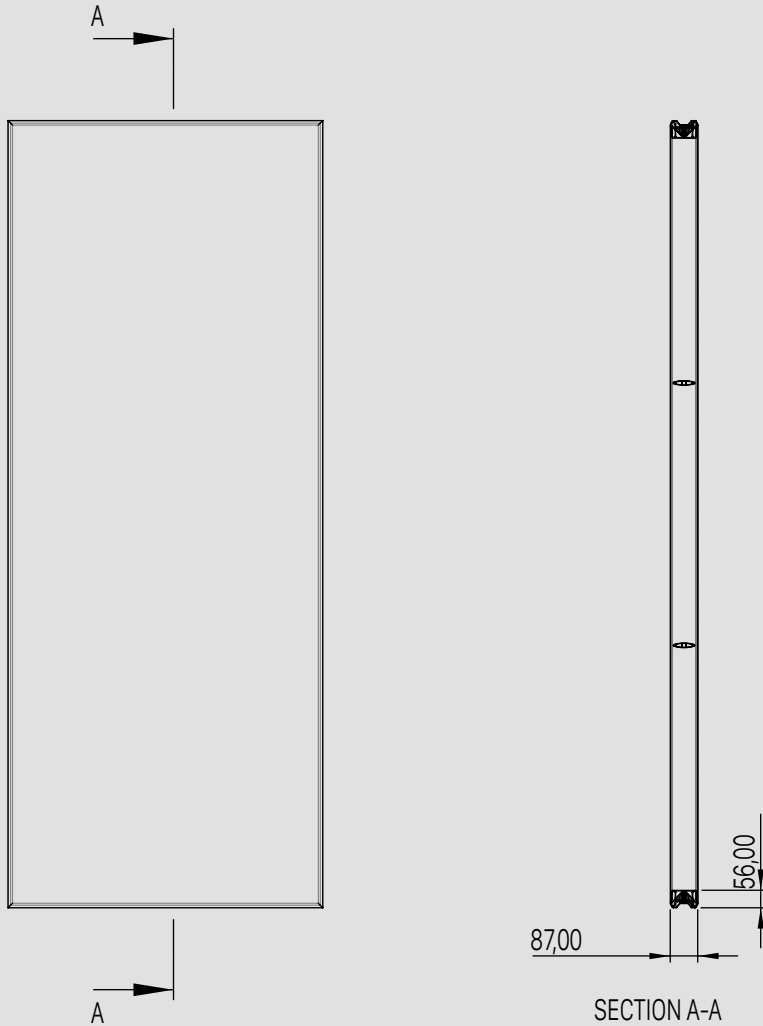


Sun Shading // TXTUM

DOUBLE-SIDED





STRUCTURE: supporting structure in extruded aluminium on 4 sides.

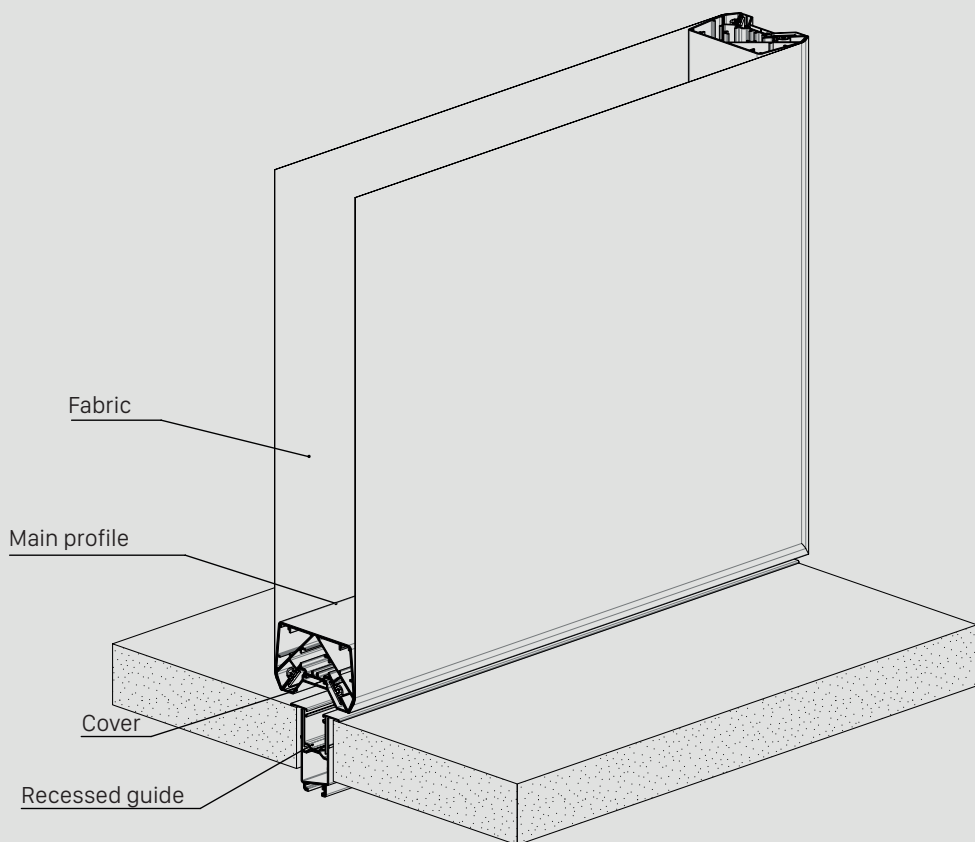
SHADING: fabric suitable for indoor or outdoor use.

FIXING SHADING: perimeter fastening on predispositions.

PERPENDICULAR DIMMING: from 100% to 20% (depending on the fabric used).

SIZE LIMITS: L MAX = 1500mm / H MAX = 6000mm (with stringers).

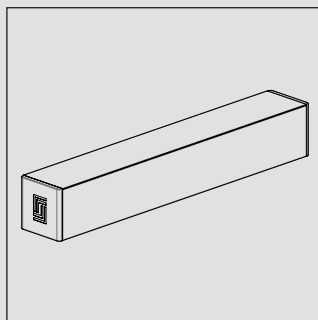
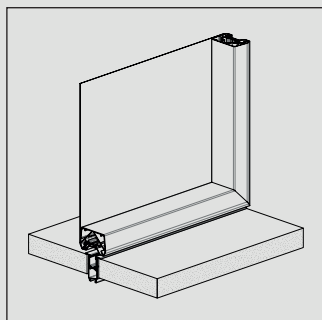
Double - Sided
manual



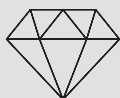
CERTIFICATIONS

up to 1400x3890mm:

- Wind load resistance according to UNI EN 1932:2013: Class 6 (2730Pa);



VARIANTS: single- or double-sided, both from fully manual to fully automated.



Resistant



Thermal protection



Durable



Easy maintenance



Sun Shading
SUNNY PRODUCTS FOR BUILDINGS

www.sunshading.it